



# Tosca UDP GEN 2

## A retail-ready plastic pallet



Keep products in stock more easily than with standard wooden pallets using this versatile, reusable plastic pallet. Designed to move seamlessly from truck to retail aisle, it can replace traditional shelving—saving time and reducing merchandising costs.

Its space-efficient design and robust construction allow for easy, secure stacking, helping you maximise truck and storage capacity.

Made from high-quality polymer, it meets the specific demands of food and beverage transport and display.

### Design & Features

**Optional pop up system:** secures your trays and crates

**Reusable** and 100% recyclable at end of life



**Grooves** to locate nestable and foldable crates



#### Traceability

Smart pallets enable you to benefit from the value of data and insights



Scan this QR to **discover more** about this product.



#### Increase retail efficiency

Uniquely designed to replace traditional shelving, eliminating both the time & cost of merchandising



#### Improve in-store availability

Simple and easy restocking ensures maximum product availability for customer.



#### Durable and versatile design

Versatile, durable design supports a wide range of sectors and products.



#### Guarantee hygiene and food safety

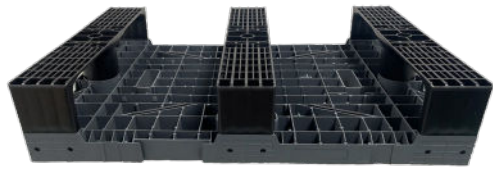
Food-safe, non-porous plastic resists humidity, fungi, acids, fats, solvents, and odours to maintain quality.



#### Meet PPWR and EPR regulations with reusable, recyclable pallets

Reusable and 100% recyclable at end of use.

# Specifications



## Characteristics

|                   |   |
|-------------------|---|
| Colour            | Grey  |
| Runners           | 3   |
| Rims              | No  |
| Anti-slip         | Yes (on the bottom for forklift and PPT handling) |
| Metal re-inforced | No  |
| Material          | PP  |
| ISPM-15 proof     | Yes   |
| Temperature range | -20°C/+40°C*                                      |



## Dimensions

|          |                    |
|----------|--------------------|
| External | 800 x 600 x 165 mm |
| Weight   | 6,8 kg             |



## Load capacity

|          |        |
|----------|--------|
| Max load | 500 kg |
|----------|--------|

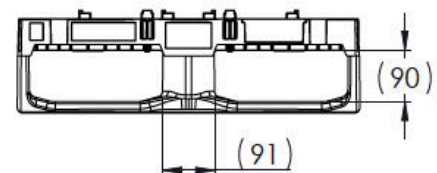
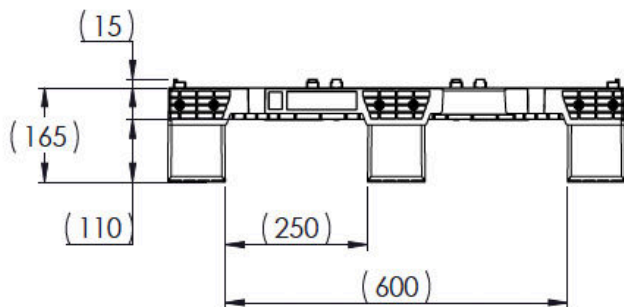


## Loading quantities

|             |             |
|-------------|-------------|
| Pallet*     |             |
| Truck       | 990 units   |
| Container** | 1.012 units |

\* European size pallet  
\*\* 40ft HC

# Technical Drawing



## Disclaimer

- Temperature ranges, dimensions, weights, volumes and loading capacities listed are estimates and may vary due to handling, manufacturing tolerances, and regulatory differences. Any deviation from the specified temperature range must be confirmed with Tosca.
- Users must assess product suitability and conduct appropriate risk assessments before use.
- All users must follow Tosca's specifications and Health & Safety Guidelines and use outside these parameters is at the user's risk.